

WAFER TYPE BUTTERFLY VALVE Z 011-AS



A low weight wafer type valve (body aluminium) which is optimally suited for applications in public swimming pools.

TECHNICAL DATA

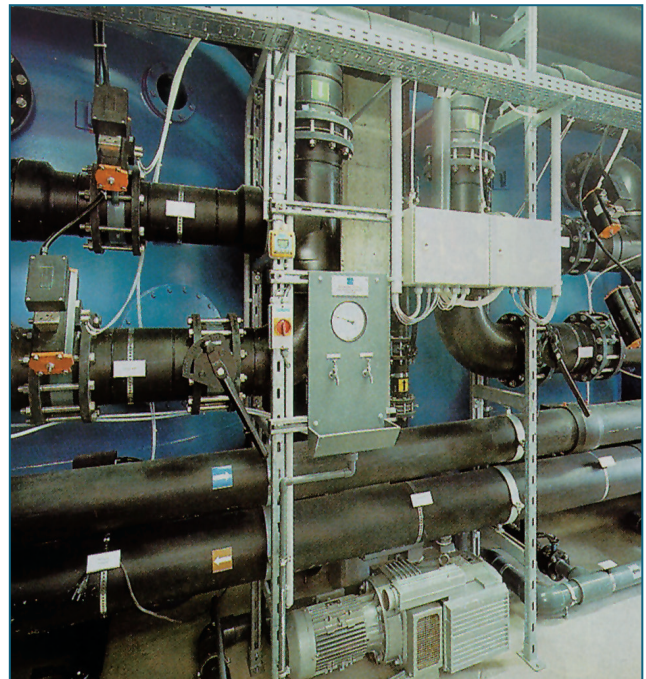
Nominal diameter:	DN 50 - DN 300 Larger diameters: See Z 011-A with aluminium body
Face-to-face:	EN 558 Series 20 ISO 5752 Series 20 API 609 Table 1
Flange accommodation:	EN 1092 PN 6/10/16 ASME Class 150 AS 4087 PN 16
Flange Surface Design:	EN 1092 Form A/B ASME RF, FF
Top flange:	EN ISO 5211
Marking:	EN 19
Tightness check:	EN 12266 (Leakage rate A) ISO 5208, Category 3
Temperature range:	-10°C to +100°C (depending on pressure, medium and material)
Operating pressure:	max. 3 bar

FEATURES

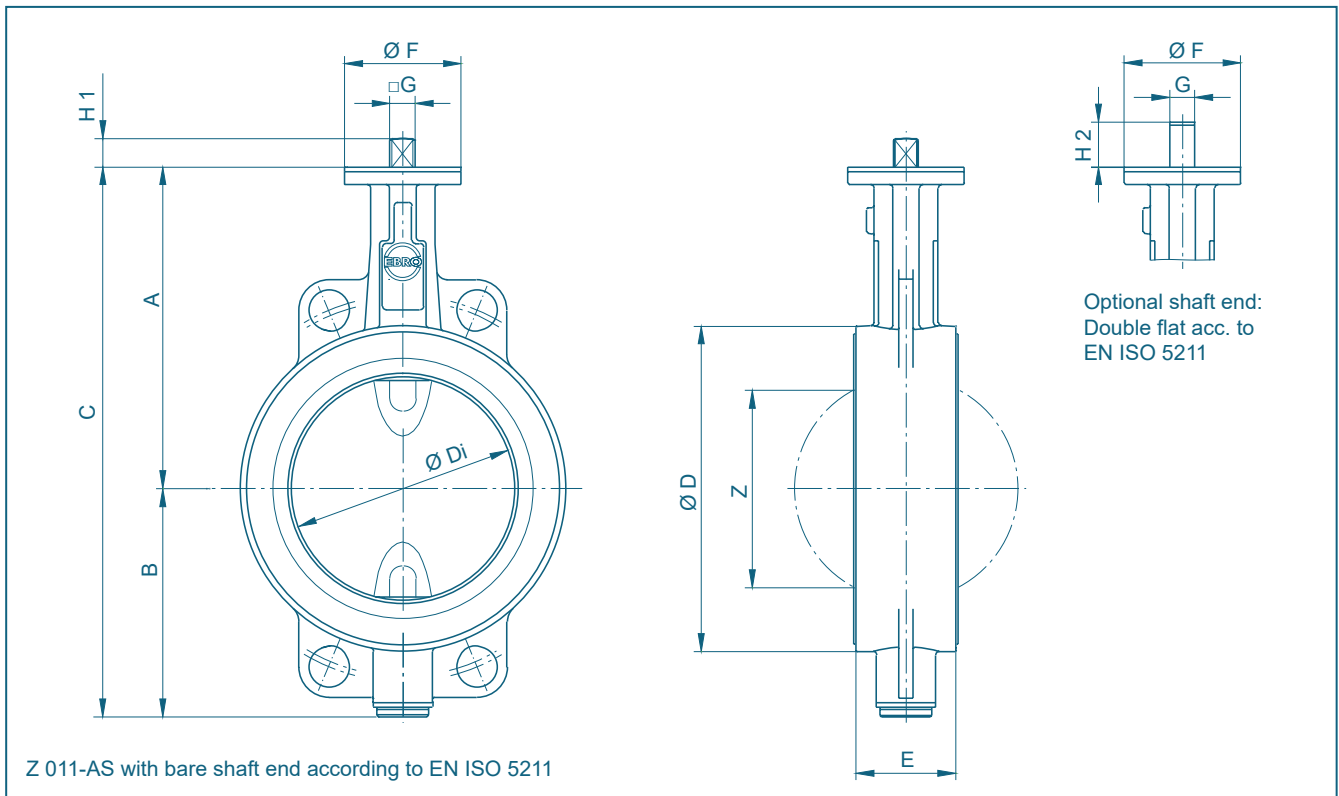
- Low weight aluminium body
- Can be used as control valve or shut-off valve
- Triple shaft bearing
- Interchangeable seat
- Can be installed in any desired position
- Maintenance-free
- Can be disassembled, material specific recycling possible

GENERAL APPLICATIONS

- Public swimming pools



WAFER TYPE BUTTERFLY VALVE Z 011-AS



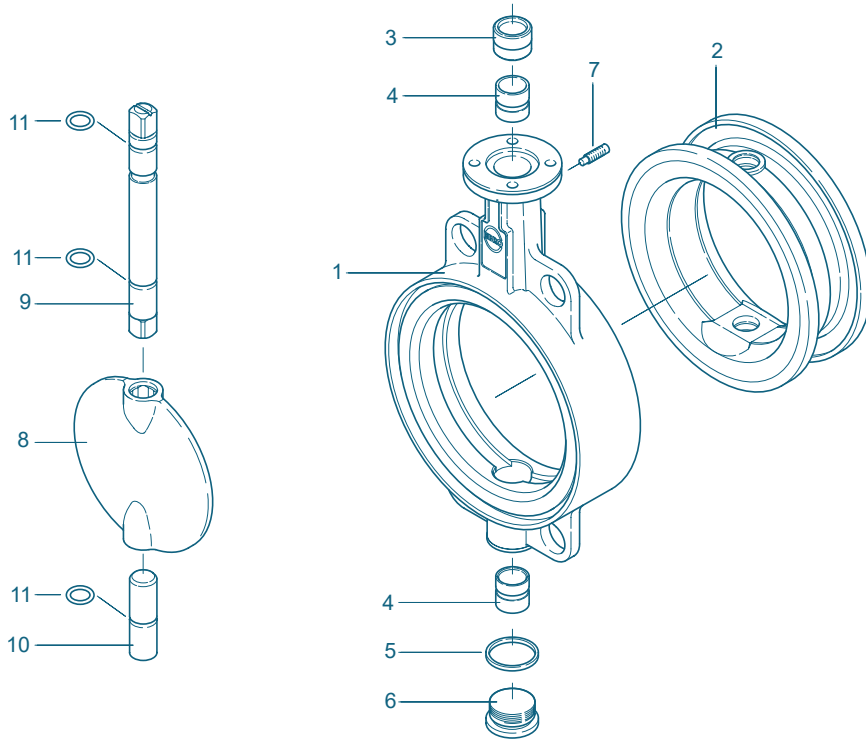
DN [mm]	Size [in]	Dimensions [mm]											Weight [kg]	
		A	B	C	D	Di	E	F	Flange	G	H1	H2		Z
50	2	126	84	210	95	48,5	43	54	F04	11	12	19	25	1,1
65	2½	134	93	227	115	63,5	46	54	F04	11	12	19	45	1,4
80	3	157	104	261	131	78,5	46	65	F05	14	16	25	65	1,9
100	4	167	115	282	151	98,5	52	65	F05	14	16	25	85	2,4
125	5	180	127	307	182	123,5	56	65	F05	14	16	25	111	3,2
150	6	203	150	353	200	141,6	56	90	F07	17	19	30	130	4,6
200	8	228	176	404	260	199	60	90	F07	17	19	30	190	6,8
250	10	266	212	478	316	248	68	125	F10	22	24	39	240	12,6
300	12	291	237	528	360	281,1	78	125	F10	22	24	39	270	17,5

For larger diameters: see Z 011-A (Aluminium version)

Subject to change without notice

WAFER TYPE BUTTERFLY VALVE Z 011-AS

MATERIAL SPECIFICATION AND PARTS LIST



Pt.	Description	Material	Material-No.	ASTM	Pt.	Description	Material	Material-No.	ASTM
1	Body				8	Disc			
	Aluminiumalloy	GD-AISI9Cu3	3.2163.05	B 380.1		Stainless Steel	X6CrNiMo18-10	1.4408	CF8M
2	Seat						G-X2CrNiMoN26-7-4	1.4469	F 51
	CSM	Chlorosulfonated polyethylene rubber			9/10	Shaft			
	FPM	Fluorocarbon rubber				Stainless Steel	X14CrMoS17	1.4104	430
3/4	Bearing bush						X5/(X2)CrNiMo17-12-2	1.4401/1.4404	316
	Brass	MS 58	2.0401	B 45	11	O-ring			
5	Seal DIN 7603					NBR	Nitrile butadiene rubber		
	Copper	Cu		Copper		FPM	Fluorocarbon rubber		
6	Plug screw DIN 908								
	Stainless Steel	G-X5CrNiMo18-10	1.4408	CF8M					
7	Set screw DIN 915								
	Steel	45 H galvanized							
	Stainless Steel	X5CrNiMo17-12-2	1.4401	B8M		Other materials upon request			

Subject to change without notice

WAFER TYPE BUTTERFLY VALVE Z 011-AS

K_v-VALUES

- The K_v-value [m³ per hour] is the flow of water at a temperature of 5°C to 30°C (41°F to 86°F) at Δp of 1 bar
- The K_v-values specified are based on tests carried out by the Delfter Hydraulics Laboratories, the Netherlands
- Permissible velocity of flow
V_{max} 4,5 m/s for liquids,
V_{max} 70 m/s for gases
- The throttle function is linear at an angle 30° to 70°
- Avoid cavitation

DN [mm]	Size [in]	Opening angle α°							
		20°	30°	40°	50°	60°	70°	80°	90°
50	2	1,4	9	15	26	44	58	76	99
65	2 ½	2	10	26	49	90	134	198	250
80	3	9	28	58	110	174	279	384	488
100	4	15	33	76	151	209	395	640	930
125	5	30	76	151	267	407	616	1012	1174
150	6	35	105	221	372	593	756	1128	1395
200	8	50	209	407	674	1163	1860	3488	4651
250	10	145	419	767	1279	2093	3605	6163	7442
300	12	233	640	1163	1860	3023	5814	8721	9884

For further values, please contact our engineers.