

## Ex-Switch Box SBU with mechanical SPDT switches

The Switch box type SBU is designed for direct mounting to pneumatic actuators according to VDI / VDE 3845 (AA2). It is suitable for mounting on EBRO pneumatic actuators.



### General Notes:

- Direct mounting according to VDI/VDE 3845
- Bracket construction possible
- Small size due to compact design
- The operating voltage for the micro switch is freely selectable with potential-free, change-over contacts
- Protection against mechanical damage due to sturdy design
- Cover with captive screws
- Separate terminal blocks for switches and solenoid valves
- Colour-coded, two-pole spring-loaded terminals (only ...-M01)
- Wiring diagram in cover
- Connection of a solenoid valve with two coils is possible
- 360° position indicator



### Technical Data:

Type	Ex-SBU-M243-X213-M01	Ex-SBU-M243-X213-E01
Housing	Aluminium (powder coated)	
Sealing	Silicone	
Type of connection	colour-coded spring-loaded terminals 2.5mm <sup>2</sup>	Ex-e terminals
Protection class	IP 66	
Temperature range	-20°C to +60°C	
Screws	Stainless steel A4	
Adjustment range	Up to 150°	
Ex-marking	II 2D Ex tb IIIC T85° Db	II 2G Ex de IIC T6 Gb II 2D Ex tb IIIC T85° Db
Number of solenoid valve connections	1 (optional 2)	1 (optional 2)
Number of proximity switches	2	2
Manufacturers of proximity switches	Marquard	Exepd
Contact rating	Potential-free 230V AC, 3A	

## Wiring Diagrams:

### Ex-SBU-M2X3-...

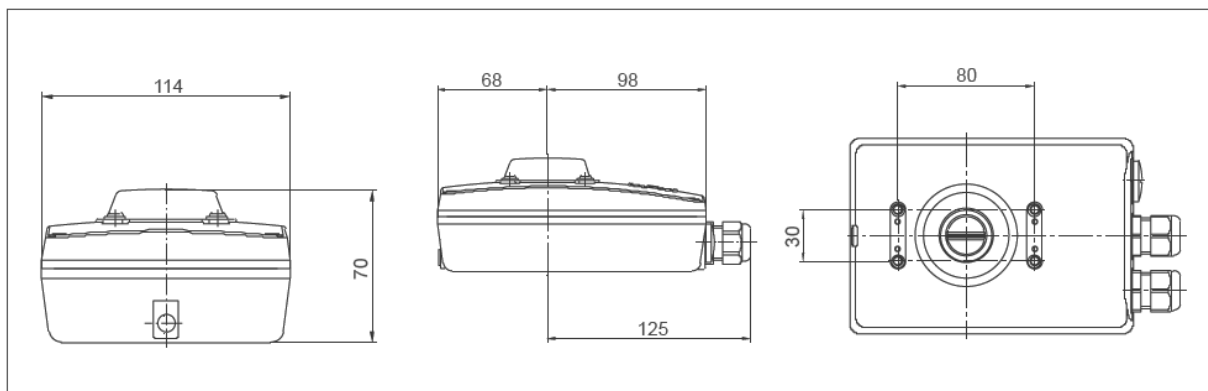
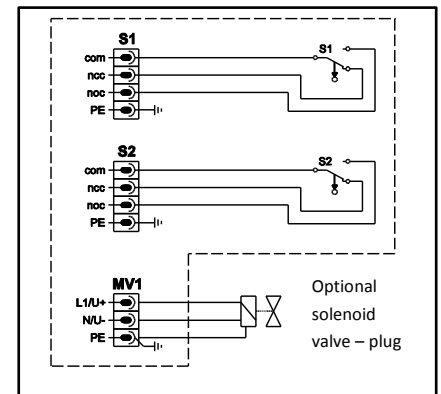
SBU fitted with two potential-free proximity switches and terminals for a solenoid valve.

S1 = closed

S2 = open

MV1 = solenoid valve connection (optional)

MV2 = 2. solenoid valve connection (optional)



## Type Code:

	Ex-SBU-	M	2	X	X	-	X	X	X	X	-	X	XX
Number of sensors			2										
<b>Ex-Version</b>													
II 2G Ex de				1									
II 2D Ex tb				4									
<b>Terminals for connecting solenoid valves</b>													
3 terminals (one coil)					3								
5 terminals (two coils)					5								
<b>Type of screw connections</b>													
Plastic Ex							X						
Metal Ex							Y						
<b>Cable gland / electrical connections</b>													
Blind cap								1	1	1			
M20x1.5 cable diameter 6-12mm								2	2	2			
M20x1.5 cable diameter 5-9mm								3	3	3			
<b>Sensor type</b>													
Marquardt												M	
Exepd												E	
Marquardt 1006.0701													01
Exepd AS1													01

Other types available on request