

# Switch Box Type SBU with mechanical SPDT switches

The Switch box type SBU is designed for direct mounting to pneumatic actuators according to VDI / VDE 3845 (AA2). It is suitable for mounting on EBRO pneumatic actuators.



### General Notes:

- Direct mounting according to VDI/VDE 3845.
- Bracket construction possible
- Small size due to compact design
- The operating voltage for the micro switch is freely selectable with potential-free, change-over contacts
- Cover with captive screws
- Separate terminal blocks for sensors and solenoid valves
- Colour-coded, two-pole spring-loaded terminals
- Labelling of the terminals directly on the circuit board
- Wiring diagram in cover
- Connection of a third switch, as well as a solenoid valve with two coils, is possible
- 360° position indicator
- Switches are connected directly to circuit board



### Technical Data:

Type	SBU-M203-XNNN-M01	SBU-M205-XNNN-M01	SBU-M305-XNNN-M01
Housing	Aluminium (powder coated)		
Sealing	NBR, silicone on request		
Type of connection	Colour-coded, double-pole spring-loaded terminals 2.5mm <sup>2</sup>		
Protection class	IP 65, IP 67 and IP 68 (without solenoid valve plug)		
Temperature range	-20°C to +70°C		
Screws	Stainless steel A4		
Adjustment range	To 189°		
Number of solenoid valve connections	1	2	2
Number of micro switches	2	2	3
Contact rating	Potential-free 230V AC, 3A		

## Wiring Diagrams:

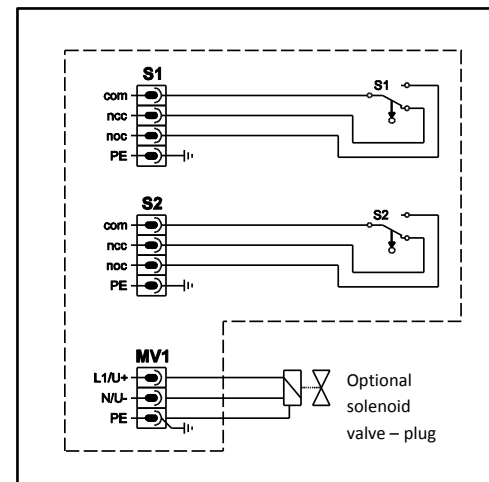
### **SBU-M203-...**

SBU fitted with two potential-free, change-over contacts and terminals for a solenoid valve, optionally with a prewired plug.

S1 = closed

S2 = open

MV1 = solenoid valve connection



### **SBU-M205-...**

SBU fitted with two potential-free, change-over contacts and two terminals for two solenoid valves, optionally with prewired plugs

S1 = closed

S2 = open

MV1 = solenoid valve connection 1

MV2 = solenoid valve connection 2

### **SBU-M305-...**

SBU fitted with two potential-free, change-over contacts and two terminals for two solenoid valves, optionally with prewired plugs

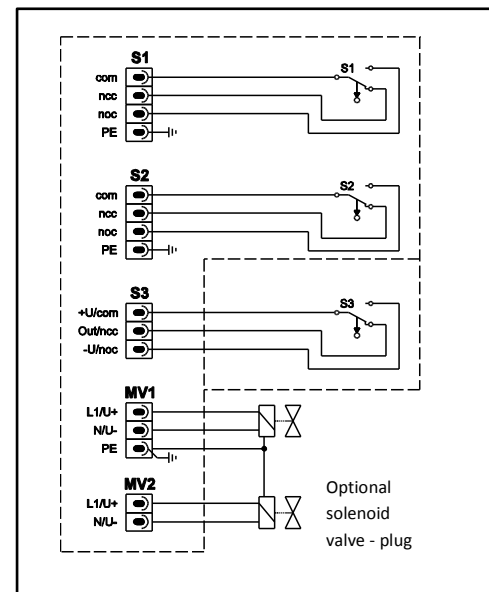
S1 = closed

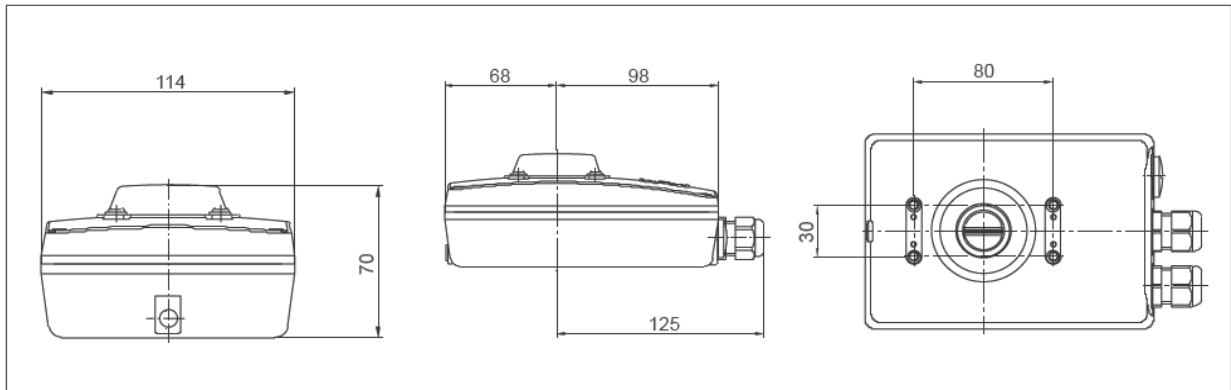
S2 = open

S3 = intermediate setting

MV1 = solenoid valve connection 1

MV2 = solenoid valve connection 2





**Type Code:**

SBU - M X 0 X - X X X X - M 01

<b>Number of sensors</b>											
2		2									
3 (only in combination with 5 terminals for solenoid valve connections)		3									
<b>Without Ex-Version</b>		0									
<b>Terminals for connecting solenoid valves</b>											
3 terminals (one coil)			3								
5 terminals (two coils, prepared for a third V3 sensor or switch)			5								
<b>Type of screw connections</b>											
Plastic						K					
Metal						M					
<b>Cable gland / electrical connections</b>											
Blind cap							1	1	1		
M20x1.5 cable diameter 6-12mm							2	2	2		
M20x1.5 cable diameter 5-9mm							3	3	3		
Solenoid valve plug type A								4	4		
Solenoid valve plug type A with LED and protection circuit 24 V DC								5	5		
M12 plug connector								S			
M18 plug connector							M				
Membrane								B	B		

Other types available on request